

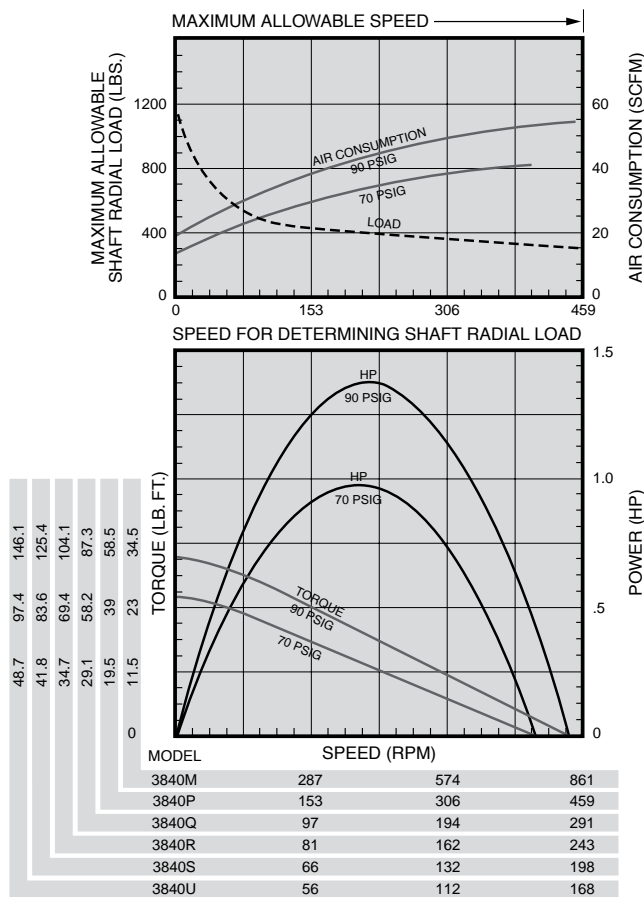
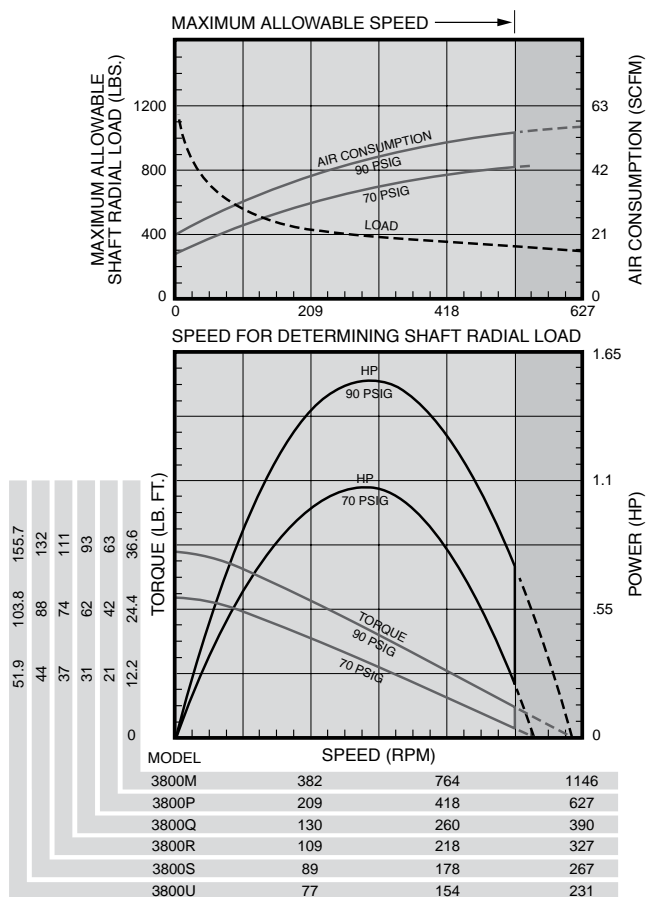


Series 3800 and 3840 Multi-Vane Air Motors Specifications



Model	Max. Power		Speed at Max. Power	Free Speed▲	Starting Torque		Stall Torque		Air Consumption at Max. Power		Weight	
	hp	kw	rpm		rpm	lb.-ft.	Nm	lb.-ft.	Nm	scfm	m ³ /m	lb.
Non-Reversible Direction of rotation is counterclockwise when facing the shaft.												
3800M	1.55	1.16	520	1100	24	32.5	33	44.8	48	1.36	7%	3.23
3800P	1.45	1.08	285	600	42	57	56.5	76.6	48	1.36	8½%	3.86
3800Q	1.45	1.08	180	375	62	84	83.5	113	48	1.36	8½%	3.86
3800R	1.45	1.08	150	320	72	98	96	130	48	1.36	8½%	3.86
3800S	1.45	1.08	120	255	88	119	118	160	48	1.36	8½%	3.86
3800U	1.45	1.08	105	220	105	142	140	189	48	1.36	8½%	3.86
Reversible												
3840M	1.40	1.04	390	825	23	31.2	31.5	42.7	44	1.25	7%	3.35
3840P	1.35	1.01	215	440	40	54.2	53.5	72.6	44	1.25	8%	3.97
3840Q	1.35	1.01	130	280	60	81.4	80	106	44	1.25	8%	3.97
3840R	1.35	1.01	122	238	69	93	92	125	44	1.25	8%	3.97
3840S	1.35	1.01	100	190	86	116	115	156	44	1.25	8%	3.97
3840U	1.35	1.01	83	162	100	135	134	181	44	1.25	8%	3.97

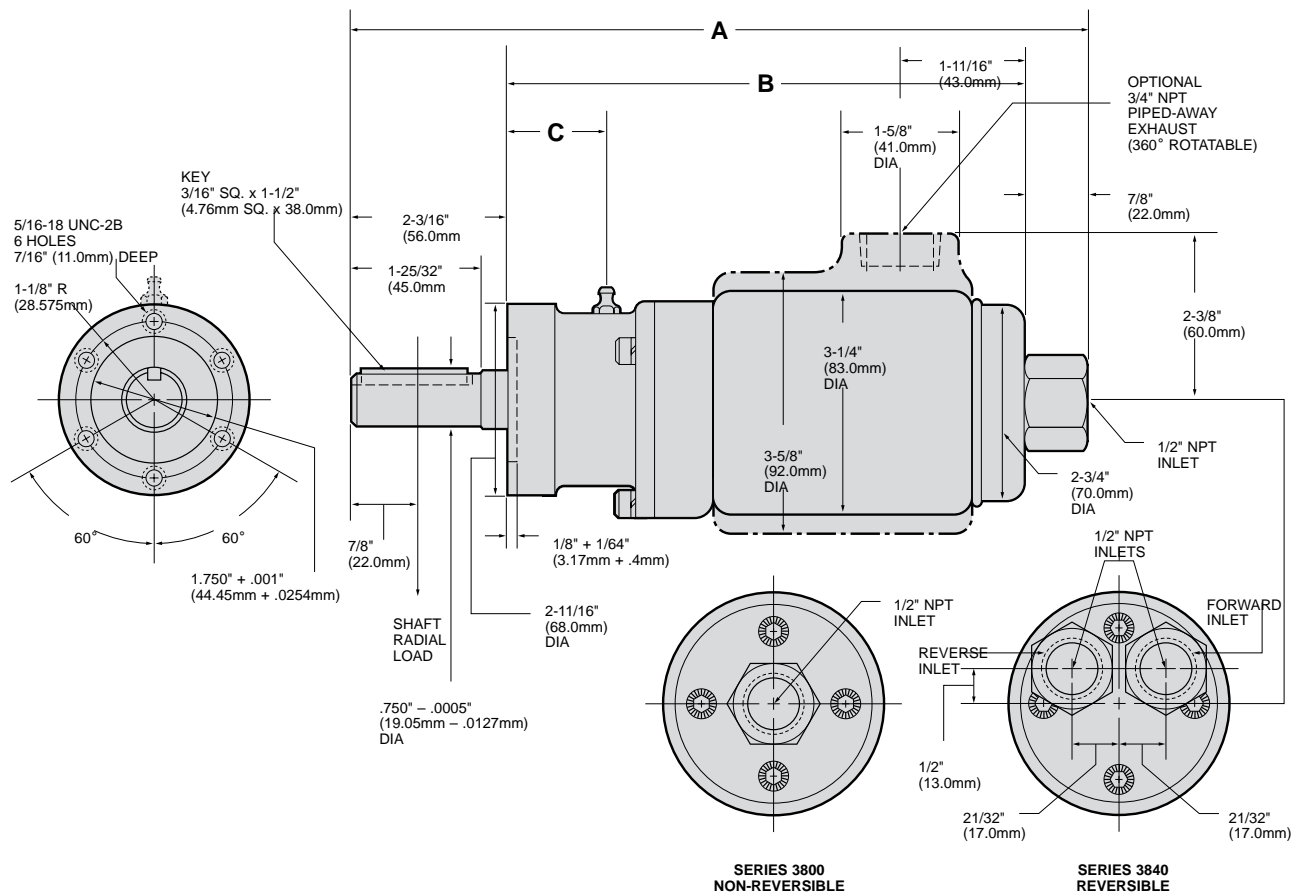
▲ ALL models must be operated with sufficient load to prevent speed from exceeding maximum allowable speed shown on performance curve. Performance figures are at 90 psig (620 kPa) air pressure.





Series 3800 and 3840 Multi-Vane Air Motors

Dimensions



Dimensions

MODELS	A		B		C	
	in.	mm	in.	mm	in.	mm
3800M, 3840M	10 ¹ / ₁₆	256	7	178	1 ¹ / ₁₆	27
3800P, 3800Q, 3800R, 3800S, 3800U	11 ³ / ₁₆	299	8 ¹ / ₁₆	221	2 ³ / ₁₆	56
3840P, 3840Q, 3840R, 3840S, 3840U						

Equipment Options

Furnished with Cataloged Models	Extra Options
6 Hole Face Mounting	R3800-A123 Exhaust Deflector Assembly with 3/4" Pipe Tap
	*5/8" Square Drive Shaft Shaft Extension 1.25" (31.75mm)

*To order Motor with Square Drive Shaft, add the suffix "2" to the Model Number. Example: 3840Q2.